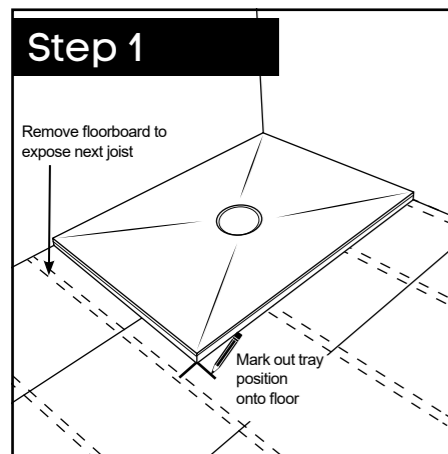


DeltaTray PLUS +

Installation Guide for Wooden Floors

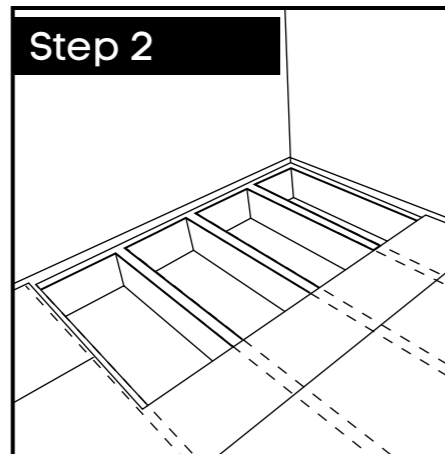


To familiarise yourself with the installation stages, the instructions set out below must be thoroughly read and understood before installation begins. Please note that some of the illustrations may not be representative for your particular installation.

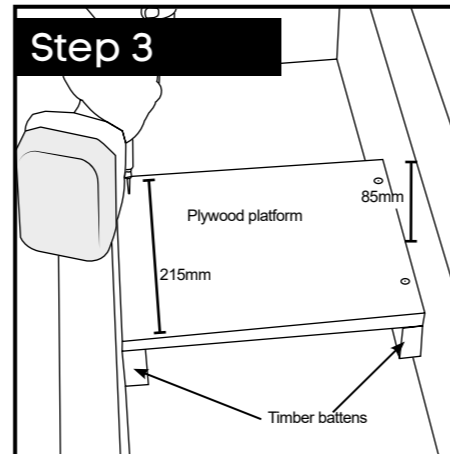


Clear the working area so the surface is free from loose debris and grease. Place the DeltaTray Plus+ onto the floorboards. Mark out the tray size onto the floor. When setting out the position of the tray, it is important to cut the floorboards back to the centre of the nearest joist, even if this extends past the edge of the tray.

Check the waste position will not be obstructed by joists using the opening in the tray as a guide. If the drain position conflicts with a joist, you can alter the drain position by trimming the tray edges. With the drain clear of obstruction, the tray and drain position can be marked on the floor.

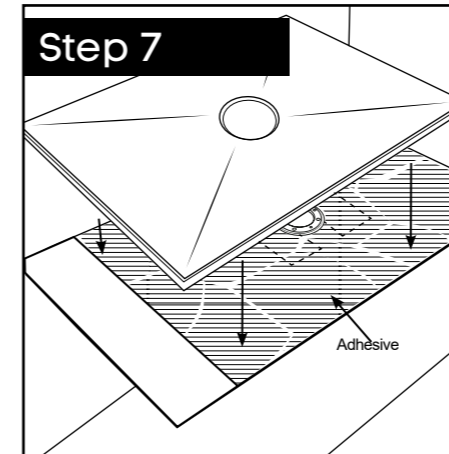


With the tray position marked out, the floorboards can now be removed. Following the markings on the floor cut through the boards using an electric saw. Check the saw blade is set to the correct depth to avoid damage to the existing joists or any pipework/electrical cables which may be concealed below.

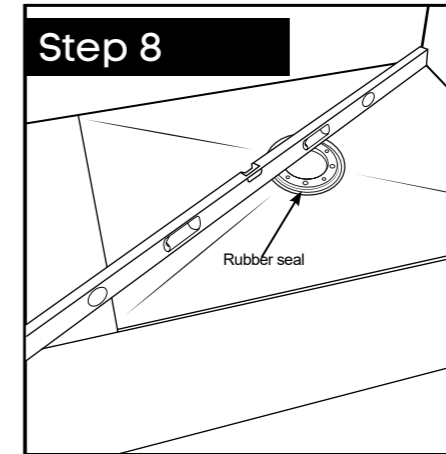


Construct a 215mm wide platform required to support the drain body and drain fitting aid. Fix 50mm x 25mm timber battens to the floor joists using screws and wood glue.

It is very important when setting out the battens to allow for the thickness plywood top (min 22mm thick) and the drain fitting aid (85mm deep) so that when installed, the drain fitting aid will finish flush with the top of the floor joists. Once the platform is installed, place the drain fitting aid and drain body into position.

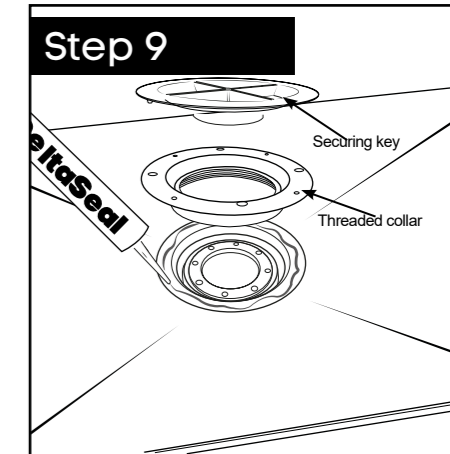


With the supporting platform prepared and all checks complete, the DeltaTray Plus+ can now be fixed into place. The Tray is permanently fixed in place using a good quality, cement based, rapid setting flexible tile adhesive. Apply the adhesive with a thick bed notched trowel.



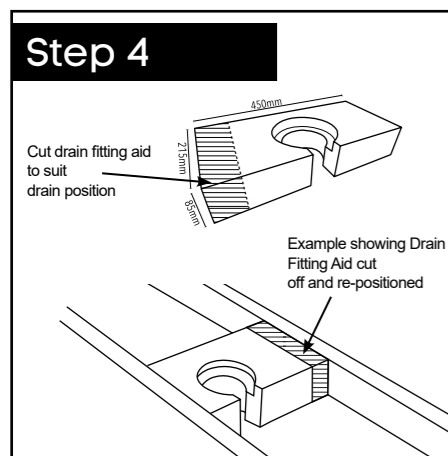
With care place the DeltaTray Plus+ into the adhesive. Make sure the rubber seal of the lower drain body remains firmly seated on the drain body. Apply moderate pressure to the entire surface of the tray and around the drain aperture, making sure there are no hollow spots beneath the tray.

Using a spirit level make sure the Tray is perfectly flat and level around perimeter. If the DeltaTray is set out of level, water will not flow to the drain correctly.

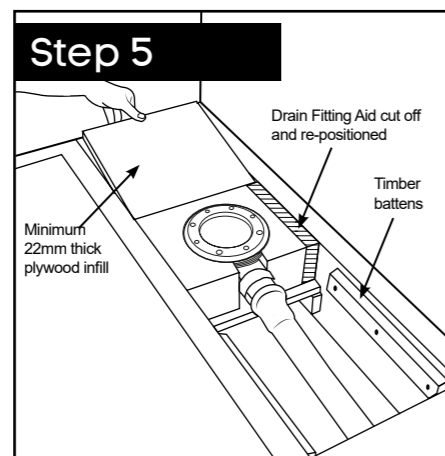


Whilst the adhesive is still wet it is important to secure the tray and the upper drain components to the lower drain body. To do this, first place a continuous bead of DeltaSeal into the rebate of the DeltaTray Plus+.

Next, place the threaded collar into the tray connecting into the lower drain body. Using the securing key, securely tighten the threaded collar to the lower drain body. It is important that the lower drain body is pulled upwards by the threaded collar creating a watertight seal between the components.

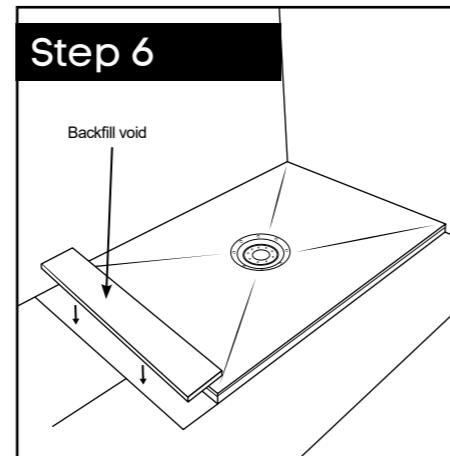


The drain fitting aid may require trimming to size to align with the correct drain position. Any section that is cut from the drain fitting aid can be placed at the opposite side of the drain fitting aid to fill any gaps between joists.



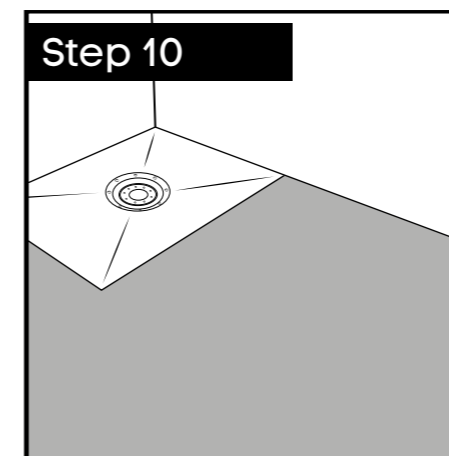
Fix the waste pipe into the drain body using a suitable solvent weld. It is important at this stage to check the waste connection for leaks, as you will not be able to return to this assembly at a later date. Once the drain body and waste route are installed and tested, a structural platform to support the DeltaTray must be fitted. DeltaTray is not designed to span across joists, therefore it is essential that the entire base of the DeltaTray Plus+ is supported by a structurally stable surface.

This is achieved by fixing timber battens and a minimum 22mm thick marine grade plywood between the joists. The battens should be set at the correct depth below joists to allow for the thickness of the minimum 22mm thick plywood platform so that the supporting platform finishes flush with the top of the joists.



Check again the alignment of the lower drain body with the DeltaTray Plus+ by temporarily placing the tray into position and fitting the threaded waste collar. Make sure they are perfectly aligned, if necessary adjust accordingly. The DeltaTray Plus+ should now fit onto the newly created platform and sit slightly proud of the remaining floor area.

During preparation of the floor area, excess floorboards may have been removed. Any void should now be filled using marine plywood at the necessary thickness to suit.



With the Tray securely fixed, the surrounding floor area should be made level to finish flush with the surface of the DeltaTray Plus+.

The material used to level the surrounding floor must be suitable for use with Vinyl floor finishes. Finishes such as flexible cement screeds and cement backer boards can be used. It is important that the subfloor is structurally sound and able to support the weight of the overlay materials for its intended use.

Once the floors are level & dry and all surrounding walls suitably prepared, the vinyl floor finishes can be fitted.

IMPORTANT NOTES:

The joints between the DeltaTray Plus+ and surrounding walls and floors must be stable before the Vinyl floor finishes are fitted. Any movement between joints could result in cracks appearing in the vinyl floor finish. The integrity of the seal between the vinyl flooring and the drain body relies on a good seal between the vinyl floor and the threaded collar. Suitable silicone sealants and mastics are available for this purpose. Acetoxy sealants must not be used as they may be detrimental to the plastic used in the manufacture of the drain body.

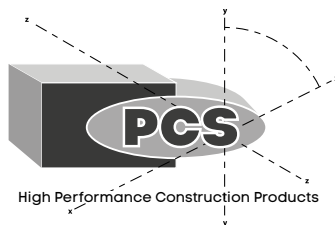
The Vinyl floor covering when fitted must be sealed with a suitable sealant and clamped to the threaded collar using the stainless steel clamping ring supplied with the drain body.

Refer to the McAlpine drain body installation and maintenance guide (supplied with drain) for further details on the fitting of the drain parts.



SECONDARY WATERPROOFING:

To provide additional secondary waterproofing below the floor finish. We recommend taping all joints with a suitable waterproofing system.



PCS
Hemfield Court, Makerfield Way,
Ince, Wigan, Lancashire
WN2 2PR

+44 (0)1942 820131

sales@pcsboard.com

www.pcsboard.com