

Seating Installation

PCS seating profiles can be supplied as a single unit or as separate components depending on the style of seating profile required. It is important to temporarily place the seating units into position following the seating layout plan to familiarise yourself with the parts that make up the seating. The fixing materials required to fix the seating profiles will depend on the condition of the supporting floor and wall.

For flat and level floors DeltaSeal adhesive can be used.

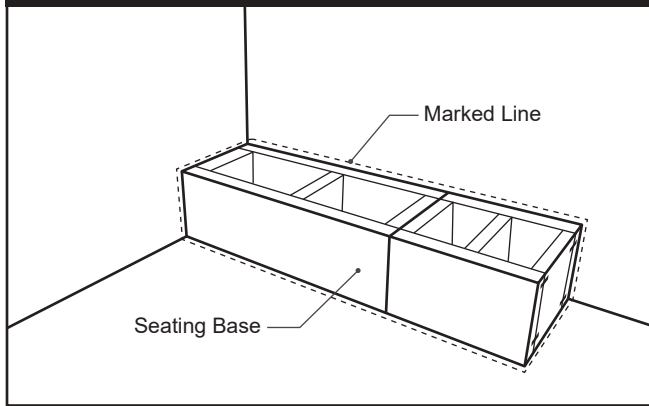
For uneven floors and walls flexible cement-based tile adhesive should be used.

Ensure a full bed of adhesive is achieved between the floor and the seating profile base.

Expanding PU foam is not suitable to fix the seating profiles to the floor.

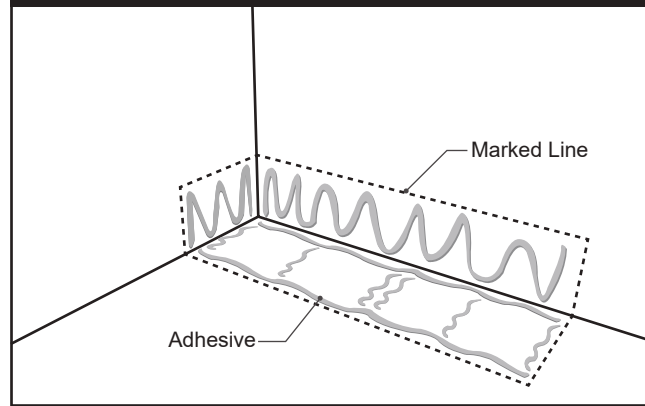
Solvent based adhesives MUST NOT be used.

STAGE 1 - Setting out the Seating Profiles



- Check the floor for level. If the floor is not level, it will be important that you identify the highest part of the floor as you may need to allow for this when fitting the seating base unit.
- Temporarily place the seating units into position according to the seating layout plan and mark the floor and wall following the line of the base unit as a guide.
- Remove the seating so that adhesive can be applied to the pre marked floor and wall area.

STAGE 2 - Fixing the Seating Profiles

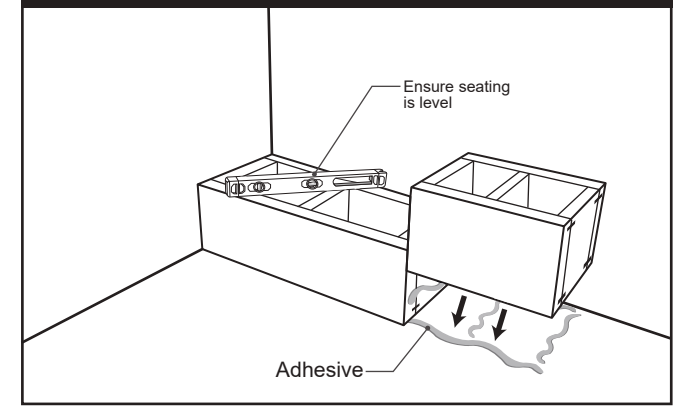


- For flat level floors apply DeltaSeal adhesive to the marked area. For uneven floors apply cement-based tile adhesive. Ensure that each unit is level before continuing.

Building Regulations

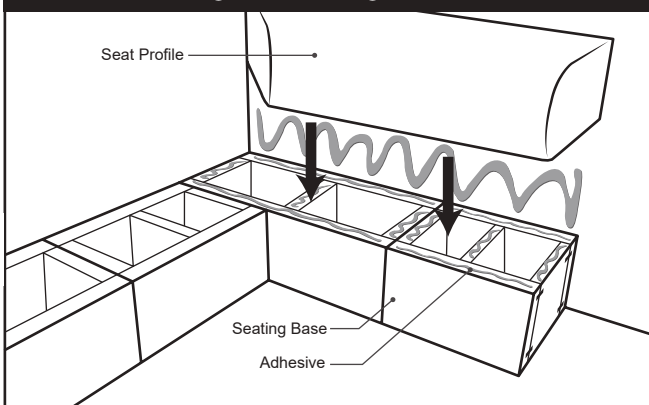
All information is given as guidance and if adhered to will perform as intended. We fully guarantee the quality of our products, however, as we do not have knowledge of site conditions or the capability of the installer, we cannot accept liability for damage which may arise due to a result of incorrect installation. The information and advice provided by PCS does not override nor supersede building regulations. It is the responsibility of the user to seek professional guidance to ensure PCS products are compatible for their intended use and that the products comply with building regulations.

STAGE 3 - Fixing the Seating Profiles

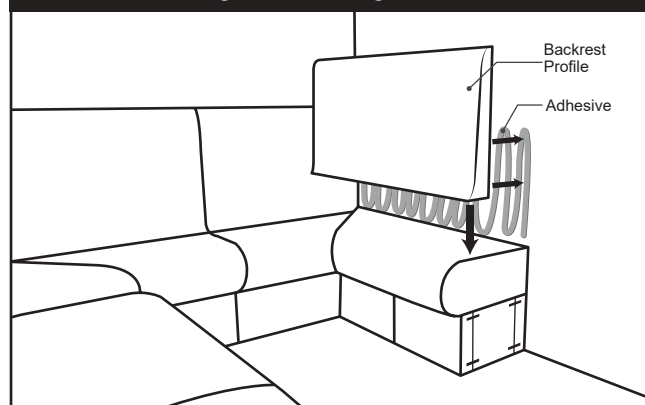


- Repeat this process for all seating parts remembering to apply adhesive to the sides of the seating profiles so that they are bonded to each other.

STAGE 4 - Fixing the Seating Profiles



STAGE 5 - Fixing the Seating Profiles



- It is important that ALL joints are waterproofed prior to tiling using PCS waterproofing paste and tape. (refer to PCS waterproofing instructions)

- **Vapour Barrier protection:** remember to apply the PCS paste over the surface of the walls, ceiling and seating profiles if the pod is to be used a steam room

STAGE 6 - Waterproofing all joints

